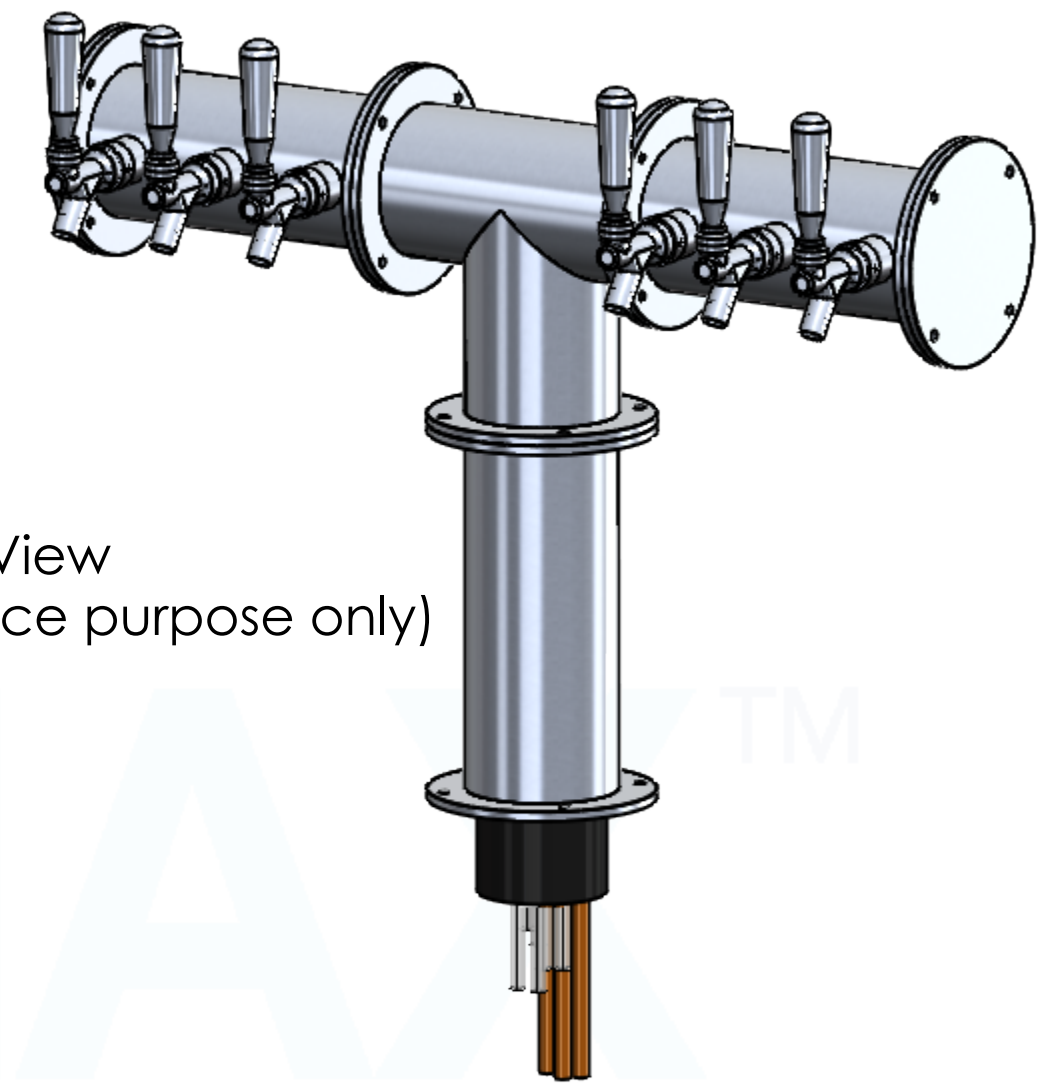
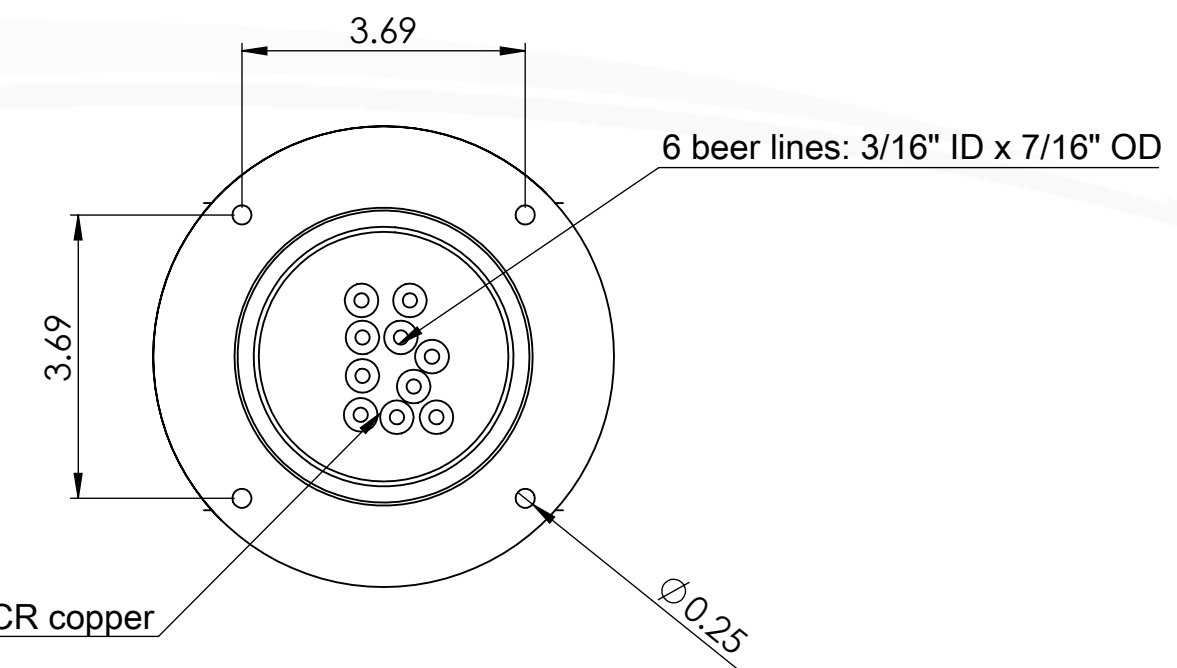


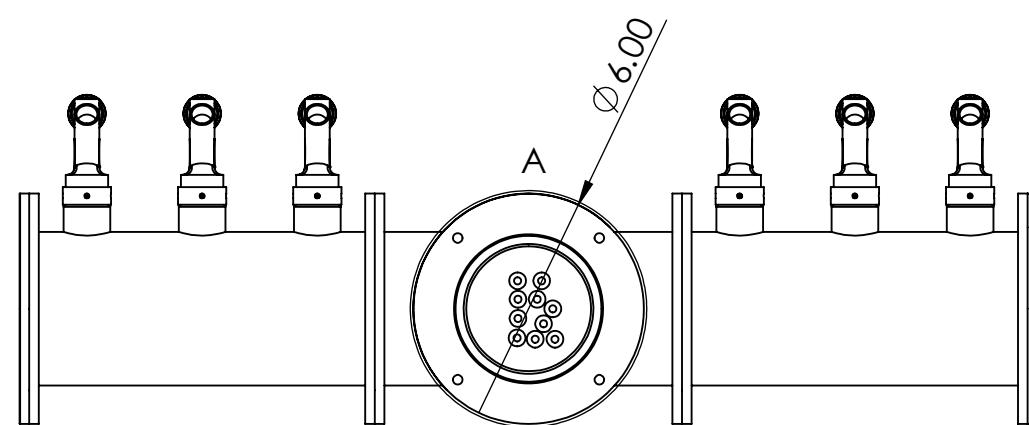
304SS tube connected to CBS NSF Flexible  
Total Barrier Tubing to 15lbs of Restriction



Isometric View  
(For reference purpose only)



DETAIL A  
SCALE 2 : 5



Suggested Drip Tray:  
BB701324 - 24" x 7" BSS Drip Tray  
BB702424 - 24" x 7" BSS Spray Drip Tray



Drawn By:	Chillmax Beverages Solutions, LLC	Date:	09/11/2024	Title:	6 T (3"OC) BSS CONDOR TOWER CH-MX CLD
Approved By:	Production Manager				
Material:	304 SS	Finish:	Brushed SS	Part Number:	BB101810-06GC
Unless otherwise mentioned, dimensions are in <u>inches</u>				Revision:	
				Scale:	1:5